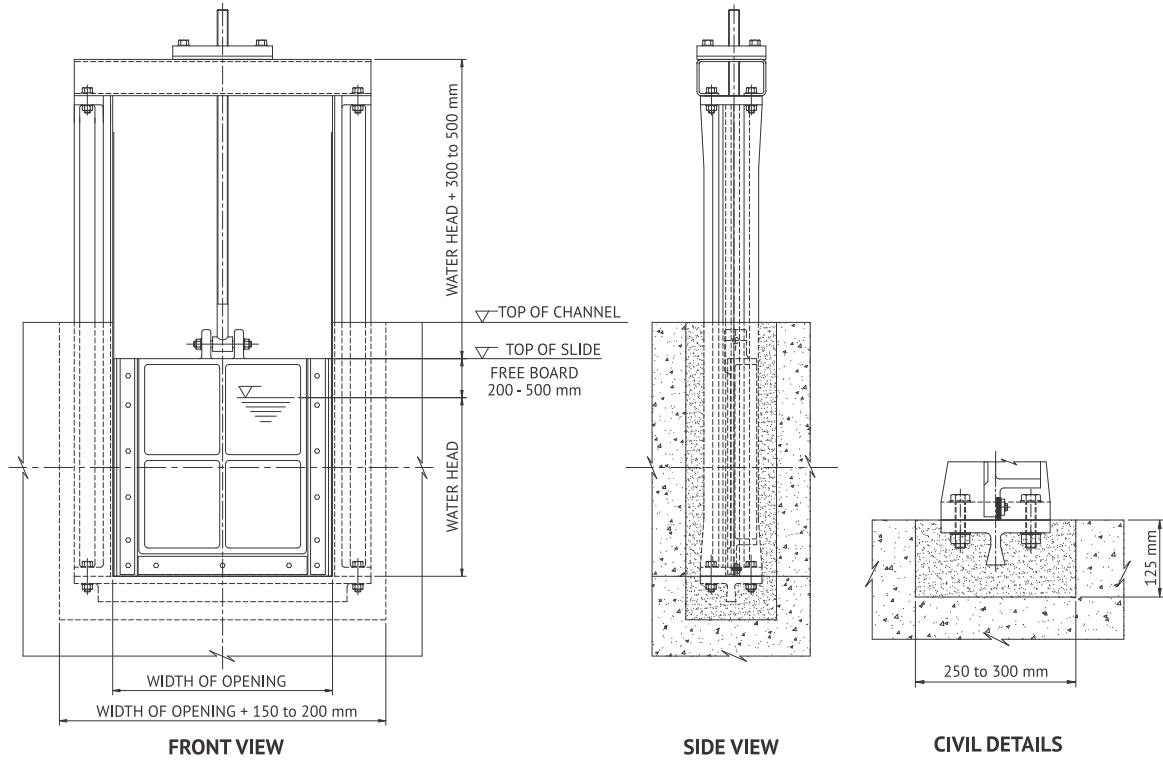


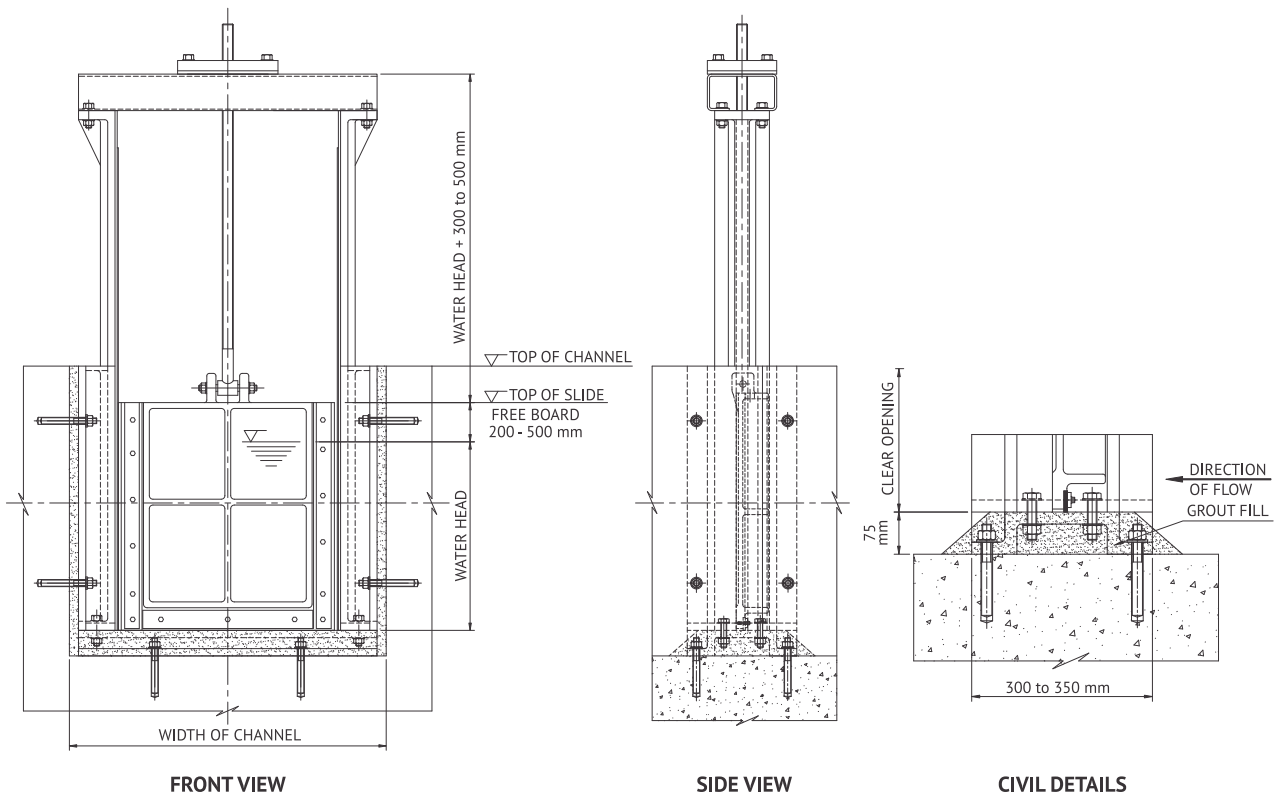
# CAST IRON OPEN CHANNEL SLIDE GATES

## SERIES: A-201 / 202 - DRAWINGS

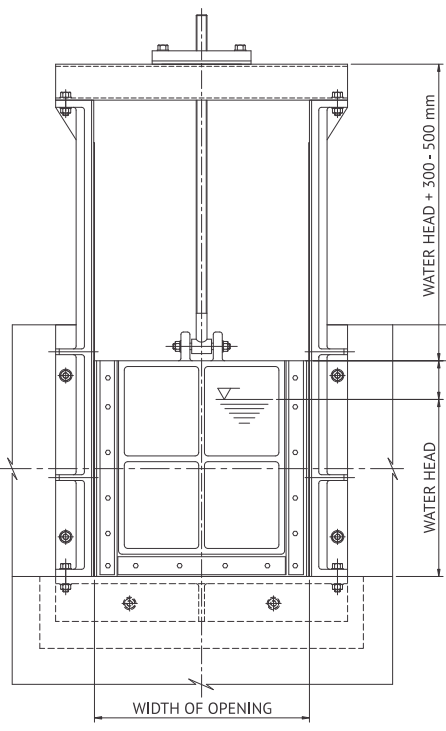
SERIES : A - 201 - SIDE WALL EMBEDDED



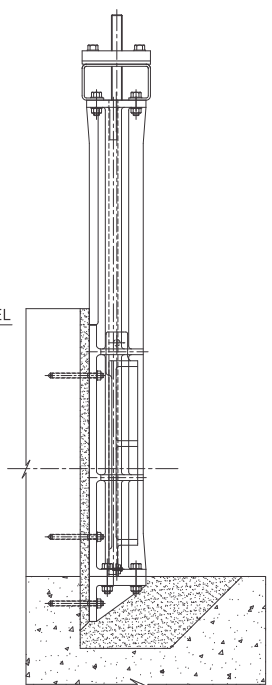
SERIES : A - 202 - SIDE WALL ANCHORED



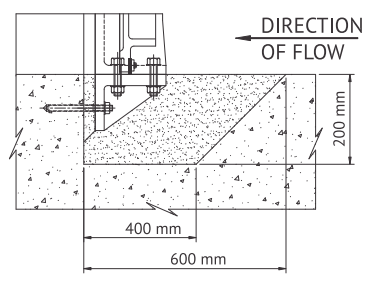
SERIES : A - 203 - FACE WALL ANCHORED



FRONT VIEW

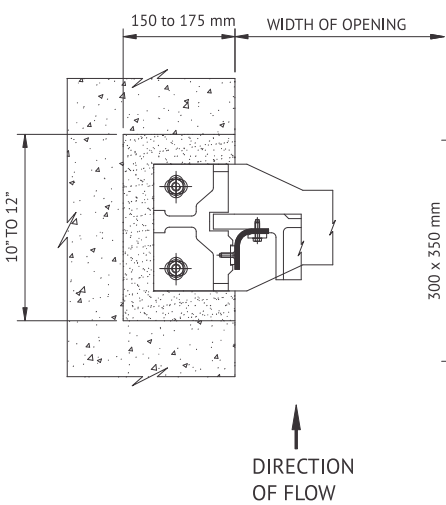


SIDE VIEW

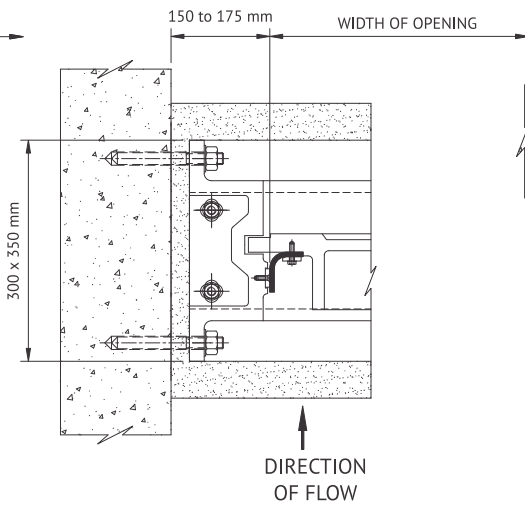


CIVIL DETAILS

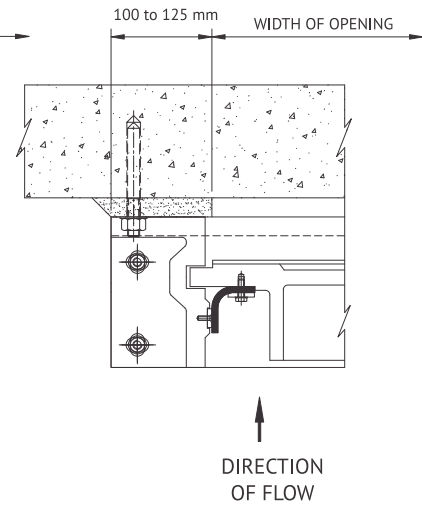
SEALING ARRANGEMENT



SERIES: A-201



SERIES: A-202



SERIES: A-203