

Minor changes in dimensions due to detailed design are possible

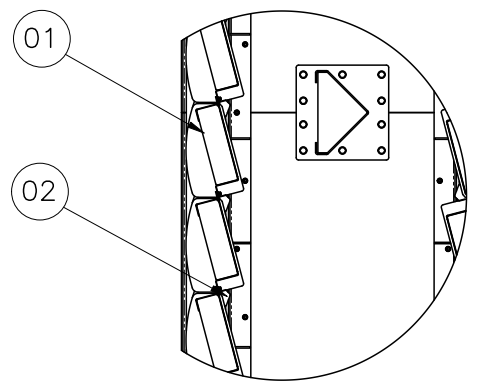
ABBR.	DESCRIPTION	DIMENSION
CD	CHANNEL DEPTH	~mm.
CW	CHANNEL WIDTH	~mm.
SFW	SCREEN FIELD WIDTH	~mm.
DH	DISCHARGE HEIGHT	~mm.
TOS	TYPE OF SCREEN	THROUGH FLOW

DRIVE DETAILS (GEARED MOTOR)

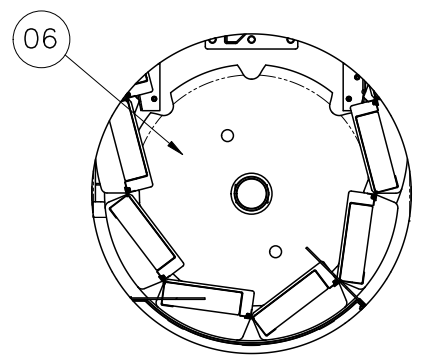
MAKE	- SEW / NORD-HEW / EQ.
VOLTAGE	- 3 Ph., --- V AC (+/- 10%)
FREQUENCY	- --- Hz. (+/- 5%)
MOTOR RATING	- --- KW
OUTPUT SPEED	- ~--- RPM
PROTECTION	- ---

DETAILS OF CONTROL PANEL

MATERIAL	- -
PROTECTION	- -
SIZE & CIRCUITRY	- AS PER JASH STANDARD



DETAIL D



DETAIL E

ITEM NO.	ITEM NAME
1	FILTER STEPS
2	CONVEYOR CHAIN
3	UPPER SPROCKET
4	DRIVE UNIT
5	DRIVE SHAFT
6	LOWER SPROCKET
7	SCREEN FRAME
8	DEWATERING TUBE
9	SPRAYER PIPE
10	SPRAYER NOZAL
11	SUPPORT BACK HOLDER
12	TOP ENCLOSURE COVER/ INSPECTION WINDOWS
13	SEAL PLATE / DEFLECTOR PLATE

THIS REFERENCE DRAWING IS NOT SPECIFIC TO THE REQUIREMENT OF THE CLIENT AND IS SUBMITTED TO GIVE A GENERAL IDEA OF PRODUCT TO BE GIVEN. A DETAILED DRAWING SPECIFIC TO THE CLIENT REQUIREMENT WILL BE SUBMITTED LATER ON UPON RECEIPT OF ORDER. HENCE DESIGN, DIMENSION AND MATERIAL OF CONSTRUCTION IS FOR GENERAL REFERENCE ONLY AND SUBJECT TO CHANGE.

REV.	DESCRIPTION	REV. BY	Date

CLIENT :
 PROJECT :
 QTY. :

JASH
 JASH ENGINEERING LIMITED
 INDORE (INDIA)

PROJECTION

Title: LAYOUT DRAWING FOR INSTALLATION
 JASH TRAVELING BAND SCREEN

SCALE	NTS	Dt.:
APPD.	-----	-----
CHKD.	-----	DWG. SUBMITTED IN PDF FORMAT
DRWN.	-----	-----

DRG. NO. JE/SCR/GAC/TB/REF. REV. RO