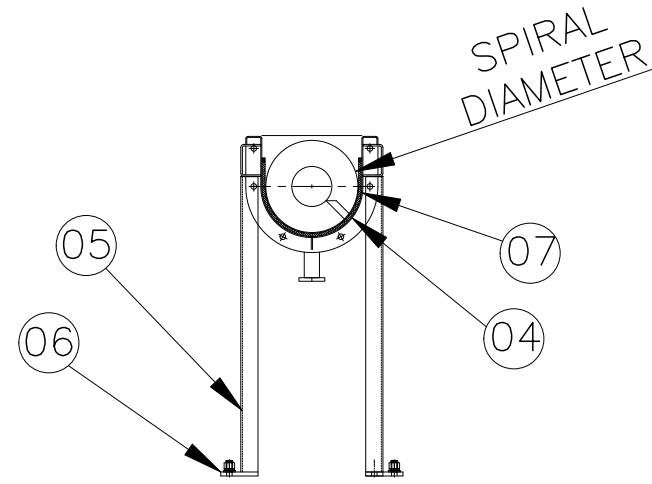
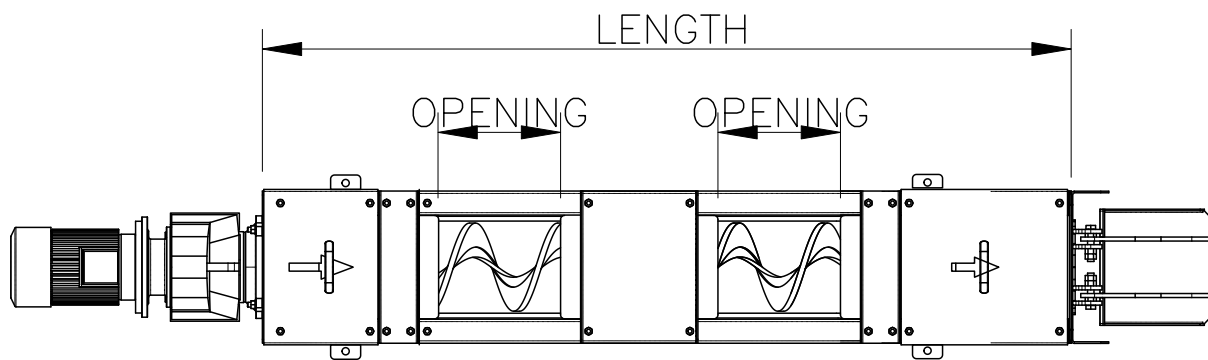


FRONT VIEW



SECTION B-B



TOP VIEW


DETAILS OF GEARED BRAKE MOTOR FOR SCREW CONVEYOR	
MOTOR MAKE	- MGM VARVEL / NORD / EQ.
VOLTAGE	- 3 ph. 415V AC ±10%
FREQUENCY	- 50Hz ± 5%
MOTOR PROTECTION	- IP 55

Sr. No.	DESCRIPTION
07	LINER
06	MOUNTING PLATES
05	LEGS
04	U TROUGH
03	CASING & COVER
02	SPIRAL
01	DRIVE UNIT

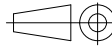
THIS REFERENCE DRAWING IS NOT SPECIFIC TO THE REQUIREMENT OF THE CLIENT AND IS SUBMITTED TO GIVE A GENERAL IDEA OF PRODUCT TO BE GIVEN. A DETAILED DRAWING SPECIFIC TO THE CLIENT REQUIREMENT WILL BE SUBMITTED LATER ON UPON RECEIPT OF ORDER. HENCE DESIGN & DIMENSION IS FOR GENERAL REFERENCE ONLY AND SUBJECT TO CHANGE.

ALL DIMENSIONS ARE IN MILLIMETERS UNLESS OTHERWISE SPECIFIED .

CLIENT : -
 PROJECT : -
 QTY. : -



JASH ENGINEERING LIMITED
INDORE (INDIA)

PROJECTION 

Title	SCALE	NTS	Dt.: -----
GENERAL ARRANGEMENT DRAWING OF SCREW CONVEYOR	APPD.	----	DWG. SUBMITTED IN PDF FORMAT
	CHKD.	----	
	DRWN.	----	
DRG. NO.	JE/SM/GENERAL/REF.		REV. RO

REV.	DESCRIPTION	REV. BY	Date